






CISA eSIGNO Contactless Lock

Innovative Security
Solution for Hotels & Resorts



Seamless 

Contactless 

Wireless 

CISA® eSIGNO

Contactless lock

CISA eSIGNO is the latest addition to our range of security solutions designed for the hospitality industry and community buildings. Its elegant compact design forms the ultimate fusion of technology and ease of use:

- it requires no wiring (it is battery powered) and is easy to install,
- it is ideal when replacing existing systems (with work in progress),
- it meets the needs of all hotels: from large chains to family-run businesses.

Design

CISA eSIGNO combines the most innovative, superior Italian design with advanced security features. Its elegant, compact model meets all mechanical and aesthetic needs, blending in perfectly with the style of every location.

Non-invasive installation

CISA eSIGNO requires no wiring, making it easy to install and to upgrade existing systems. It can be integrated with previously installed CISA contactless locks and electronic cylinders.

Battery powered

CISA eSIGNO is powered by standard, off-the-shelf batteries which guarantee long life and ensure the lock remains fully functional even in the event of a power failure.

Contactless technology

Users open the door intuitively, by simply holding the card up to the reader.

This technology eliminates friction and contact, resulting in less wear and tear to parts.

Do not disturb

CISA eSIGNO is fitted with a LED “Do not disturb” signal advising staff whether guests are present in their rooms.

NFC

CISA eSIGNO is compatible with NFC – Near Field Communication technology.

DPR

When combined with a mechanical lock with DPR (Door Position Report) function, CISA eSIGNO offers greater security as it traces and records the door status and any openings with the mechanical override key.

Wireless

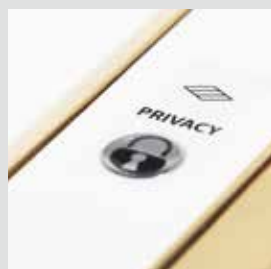
CISA eSIGNO is also available in the wireless version, taking access control to a more advanced level. In wireless mode, CISA eSIGNO can be configured to communicate with a remote system, giving constant control over locks and making it even easier to reprogramme and delete cards. No wiring is required on the door or in the room.

Installation service and training

The installation service is designed for customers looking for “turnkey” solutions. CISA engineers set up the entire system: installation, configuration and training, with maximum professionalism.

Technical assistance

In addition to the standard warranty, CISA offers post-warranty modular service contracts to prevent and correct any issues. A CISA service contract guarantees optimal maintenance of the security system with periodic checkups and rapid emergency response provided when required.





For more, visit:
cisahotels.com, [twitter@CISALocks](https://twitter.com/CISALocks)

An innovative design with numerous configurations

CISA eSIGNO handle plates are available in 4 finishes: satin silver, polished silver, satin bronze and polished gold with 2 plate options in black and white.



Satin silver
Black plate



Polished silver
Black plate



Satin bronze
Black plate



Polished gold
Black plate



Satin silver
White plate



Polished silver
White plate



Satin bronze
White plate



Polished gold
White plate



Elegance polished gold
White plate

CISA eSIGNO can be coordinated with handles and roses for other rooms (e.g. bathrooms, communicating doors) available in 4 finishes: satin silver, polished silver, satin bronze, polished gold.

Handles



Classic
Satin silver



Classic
Polished silver



Classic
Satin bronze



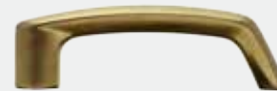
Classic
Polished gold



Modern (RTD)*
Satin silver



Modern (RTD)*
Polished silver



Modern (RTD)*
Satin bronze



Modern (RTD)*
Polished gold

*Conforms with the EN179 standard



Elegance
Polished gold

Handles for internal doors



Handles for internal doors
Satin silver



Handles for internal doors
Polished silver



Handles for internal doors
Satin bronze



Handles for internal doors
Polished gold



Roses
Satin silver



Roses
Polished silver



Roses
Satin bronze



Roses
Polished gold

CISA solutions for hotels and community buildings



CISA eSIGNO contactless lock

Electronic locks with no wiring. They can be configured as standalone units (offline) or as part of a wireless network.

Contactless electronic cylinder

It allows hotels to upgrade from mechanically operated locks to electronic access control, granting access rights using cards or other electronic credentials. It easily replaces European profile mechanical cylinders and is available in the outdoor installation version.

Wall reader

The wall reader can be used to control access to other areas equipped with electrical devices (e.g. automatic barriers, electric gates, magnets, electric locks). Communal areas such as fitness and health centres, conference rooms, garages etc. are managed by holding the card up to the contactless wall-mounted reader. CISA readers can be configured offline or online and are also suitable for outdoor use.

Encoder

This device reads and programmes the security cards. It can be connected to a PC or used as a standalone unit, making the encoding system even more resistant to computer viruses. The encoder is portable and, therefore, a highly versatile device. When paired with an NFC mouse it can communicate with the CISA eSIGNO locks to programme them and access information such as the audit trail and battery status. Several encoders can be used in the same hotel to ensure reception runs as smoothly as possible.

Smart Software

CISA Smart Software is a software package which makes the CISA eSIGNO system quick and easy to manage and provides advanced functions specifically for the hospitality and community buildings sector. Compatible with Microsoft Windows XP, 7 and 8.

Gateway and Wireless Control Unit

These devices are part of the wireless infrastructure: the gateway is used to communicate with CISA eSIGNO wireless locks.

The gateway is controlled by the wireless control unit which manages the connection between the central station and the wireless locks.

Energy saver

Intelligent energy saving cardholder with the ability to differentiate between guest and staff security cards and control up to 2 relays to switch on the electrical power in the room, preventing unnecessary energy wastage when the guest is out of the room.



Mechanical antipanic lock

The mechanical antipanic lock is the closing element controlled by the electronic unit. Using an automatic deadbolt gives hotel guests' greater security, protection and comfort compared to solutions with electric strike. The DPR (Door Position Report) function provides important information about door status. In real-time when combined with CISA eSIGNO wireless locks. The locks are EN179 certified.

Mechanical override

This ensures prompt, non-invasive emergency access to the room, guaranteeing maximum protection for hotel guests and preventing damage to the door or lock.

Retrofit underplate

A black metal underplate mounted between the door and the CISA eSIGNO handle plate to cover any existing holes or marks left from previous larger plates.

Steel door adaptor

Thanks to this metal plate, CISA eSIGNO can be installed on steel fire doors following DIN specifications. The adaptor is completely concealed under the external plate.

CISA eSIGNO safe

Battery powered electronic hotel safe with LED display and motorised lock. The 90° door opening and cantilevered hinges, which give maximum door clearance, make it easy to place a 15" laptop inside. Laser cut design, ADA-compliant keypad to help guests with visual impairments and automatic interior LED lighting. Audit trail able to trace up to 300 events. Emergency mechanical override with CISA key.

Minibar

Hotel minibar with absorption technology: no vibrations, no noise. Automatic temperature control. Automatic defrost. Reversible door and ergonomic grip for easy opening. Automatic internal LED light. 30 or 40 litre capacity. Power supply: 110V/230V, electric plug suitable for all countries.

Credentials

ISO/IEC 14443 A 1-4 and ISO/IEC 7816 credentials: Mifare DESFire Light, Mifare DESFire EV3 2K, Mifare DESFire EV3 4K, Mifare DESFire EV3 8K. Credential formats: credit card, label and key fob.



Technical features

Encoding system

- Encoder (Mifare DESFire ISO 14443A) which operates independently or with Smart Software on a PC

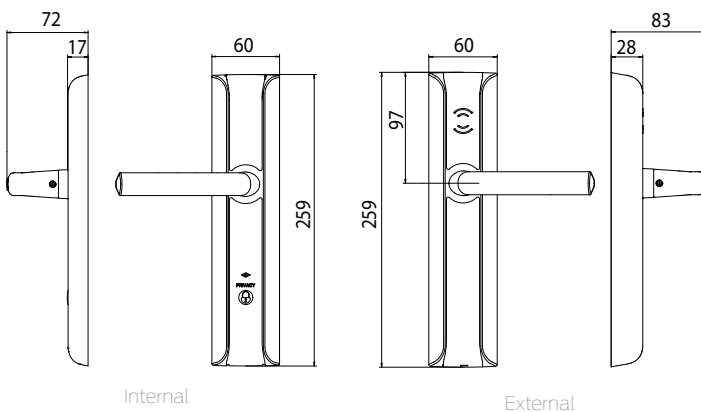


Specifications

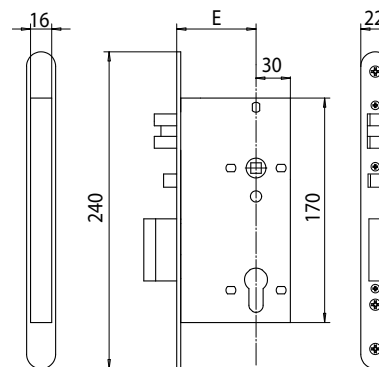
- NFC compatible contactless lock
- Contactless reader for standard credentials Mifare DESFire ISO 14443A, NFC ready
- Wireless option (2.4 GHz Zigbee)
- Audit trail of 500 events (openings with security card and emergency cylinder)
- Up to 60 auto-programmable timetables
- Batteries: 3 AAA batteries for 30,000 events
- Compatible with 8 mm square spindle locks
- European profile mechanical override cylinder
- Classic, Modern (RTD) and Elegance handles
- Operating temperature: from -10°C to 70°C
- Conforms with European standards
- Compatible with products which comply with EN1634 Parts 1 & 2, EN179 and EN12209
- Contactless security card with anti-cloning system based on standard encryption algorithms

Technical drawings

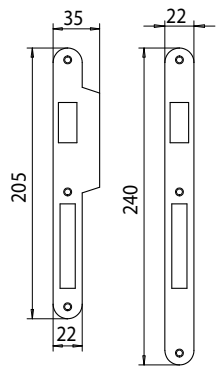
Handle plate



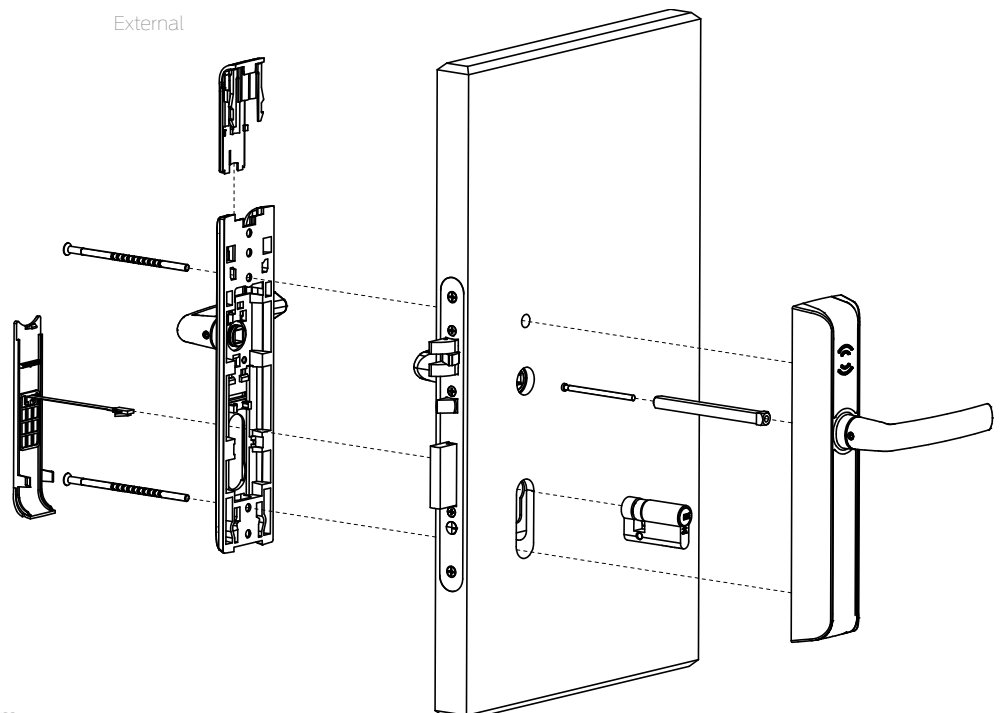
5A504, 5A514 lock series



Strike plate



Installation



About Allegion

Allegion (NYSE_ALLE) creates peace of mind by pioneering safety and security. As a \$2 billion provider of security solutions for homes and businesses, Allegion employs more than 8,000 and sells products in more than 120 countries across the world. Allegion comprises 27 global brands, including strategic brand CISA®, Interflex® LCN®, Schlage® and Von Duprin®.

For more, visit allegion.com



Allegion (UK) Ltd
Bescot Crescent
Walsall, WS1 4DL
Tel. +44 (0) 1922 707400
allegion.co.uk/hotellocks
cisahotels.com

@cisalocks

